



ATX™ FNLED Series Nonmetallic LED Luminaires

Standard Increased Safety

ATEX/IECEX:

Zone 2 and 22

II 3 GD

IP66 – IK10

Applications

- For use in locations where:
 - Hazardous areas are designated as Zone 2 and 22
 - A high degree of corrosion resistance is required
 - Protection against dirt, water and moisture is necessary
- Typical applications include:
 - Oil refineries
 - Petrochemical facilities
 - Food processing plants
 - Waste and water treatment plants
 - Underground tunnels
 - General manufacturing facilities

Features

- Available in 5000K or 4000K Color Temperatures.
- Meets photobiological requirement for Risk Group 0 (RG0).
- Easy to retrofit in same mounting footprint as Appleton's FN series nonmetallic fluorescent luminaires.
- Full range of lumen outputs, with light distribution equivalent to Appleton's FN series fluorescent luminaires.
- Corrosion-resistant fiberglass reinforced polyester body and hinged polycarbonate lens.
- High impact resistance housing (20 Joules – IK10) from -30 °C to +55 °C (-22 °F to +131 °F) ambient temperature and wind profile for use in extreme offshore and onshore environments.
- 60,000+ hour LED life for years of maintenance free operation.
- Lightweight design, hinged cover with captive screws, and terminal block wiring for easy installation and maintenance.
- Contemporary, low profile design suitable for tight spaces.
- Standard screw-type terminal block can accept 1.5 to 6 mm² wire.
- Field replaceable LED driver.
- Industry-leading thermal management for safe, reliable operation over wide temperature range.
- Universal, high efficiency, drivers cover voltage requirements for 120-277 Vac, 125-300 Vdc, 50/60 Hz +/- 10%.
- High power factor electronic driver (>0.95).
- Standard 6KV surge suppression.
- M20 plug or M25 plug provided.
- Latch assembly and elastomer gasket seals against water and dust ingress, IP66.
- Easily accessed for maintenance using Allen key or straight blade screwdriver.
- Central opening with unique patented release system to prevent damage.
- Can be horizontally or vertically mounted.

Standard Materials

- Housing: fiberglass reinforced polyester
- Lens: polycarbonate
- Diffuser: polycarbonate
- Gasket: elastomer
- Internal reflector: highly reflective white polycarbonate
- Mounting accessories available in different materials such as gray painted aluminum, zinc plated steel, galvanized steel or 316 stainless steel



ATEX/IECEX Certifications and Compliances

- **Certification Type: FNLED**
 - Gas: Zone 2
 - Conforming to ATEX 2014/34/EU: II 3 G
 - Type of Protection: Ex ec IIC Gc
 - Temperature Class: T5 to T3
 - Dust: Zone 22
 - Conforming to ATEX 2014/34/EU: II 3 D
 - Type of Protection: Ex tc IIC Dc
 - Surface Temperature: +60 °C to +80 °C (+140 °F to +176 °F)
- Ambient Temperature: -30 °C up to +55 °C (-22 °F up to +131 °F)
- EU Declaration of Conformity: 50319
- ATEX Certificate: INERIS 19 ATEX 3005X
- IECEx Certificate: IECEx INE 19.0006X
- Index of Protection according EN/IEC 60529: IP66
- Impact Resistance (shock): IK10
- Photobiological Safety, IEC 62778 and IEC 62471: RG0 at 0.25 m mounting height

LED/AREA: ATEX/IECEX ENCLOSED AND GASKETED/INCREASED SAFETY

APPLETON™

① Available for 5K lumen models only.

Visit our website at www.emerson.com or contact us at (800) 621-1506 or +33 3 22 54 13 90 © August 2019

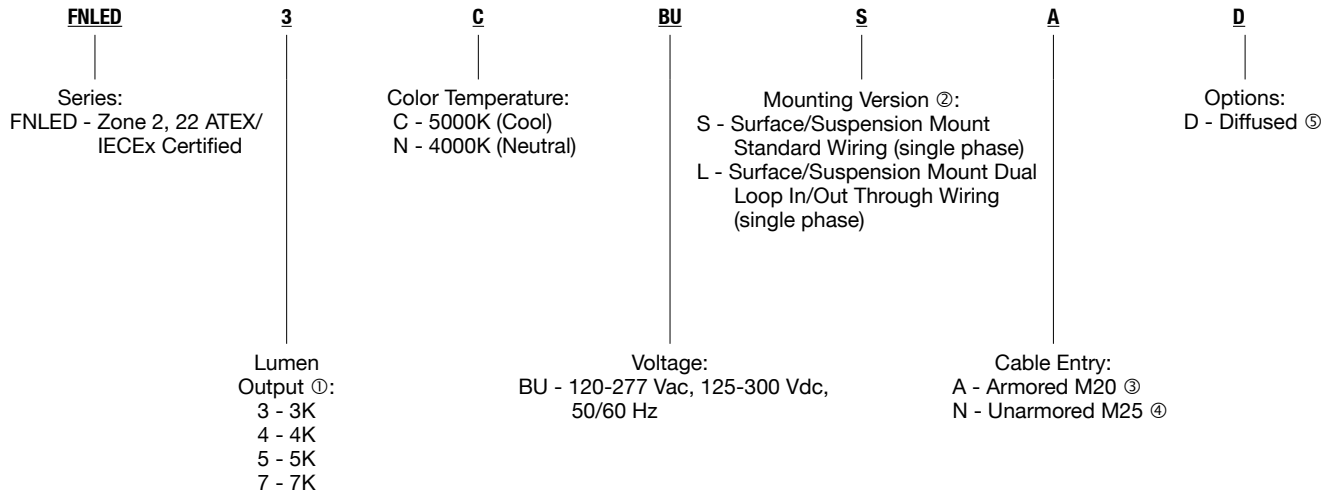


ATX™ FNLED Series Nonmetallic LED Luminaires

Standard Increased Safety

ATEX/IECEX:
Zone 2 and 22
II 3 GD
IP66 - IK10

Order using catalog numbering guide below or select catalog number from tables on following pages.



① All values displayed reflect typical values.

② Standard and Loop In/Out cable entries provide 3 entries; 1 at one and 2 at the other end of the housing.

③ Must order armored cable glands separately. M20 entries are with brass earth continuity plate for armored cable.

④ Cable glands provided in luminaires with unarmored hub entries.

⑤ Diffuser required for RG0 photobiological rating.

ATX™ FNLED Series Nonmetallic LED Luminaires

Standard Increased Safety

ATEX/IECEX:
 Zone 2 and 22
 II 3 GD
 IP66 – IK10

Lumen Comparison Chart

Line Current Amps	Input Power (W)	Power Factor	Lumen Output (Lumens)	Efficacy (lm/w)	Correlated Color Temperature (CCT)	Color Rendering Index (CRI)	Length	Weight	Catalog Number	
0.132 A at 230 Vac	30	> 0.9	3,300	110	5000K	80+	0,785 m (2,58 ft)	5 kg (11.0 lb)	FNLED3CBUxxD	
			3,200	107	4000K				FNLED3NBUxxD	
0.173 A at 230 Vac	40		4,300	108	5000K				FNLED4CBUxxD	
			4,200	105	4000K				FNLED4NBUxxD	
0.193 A at 230 Vac	43		80+	5,100	119		5000K	1,39 m (4,56 ft)	8 kg (17.5 lb)	FNLED5CBUxxD
				5,000	116		4000K			FNLED5NBUxxD
0.296 A at 230 Vac	66	7,000		106	5000K	FNLED7CBUxxD				
		7,000		106	4000K	FNLED7NBUxxD				

LED/AREA: ATEX/IECEX ENCLOSED AND GASKETED/INCREASED SAFETY

APPLETON™

Visit our website at www.emerson.com
 or contact us at (800) 621-1506 or +33 3
 22 54 13 90 © August 2019



ATX™ FNLED Series Nonmetallic LED Luminaires

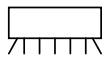
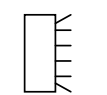
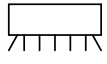
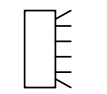
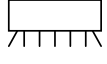
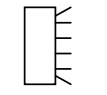
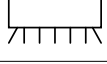
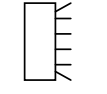
Standard Increased Safety

ATEX/IECEx:
Zone 2 and 22
II 3 GD
IP66-IP10

LED/AREA: ATEX/IECEx ENCLOSED AND GASKETED/INCREASED SAFETY

APPLETON™

Technical Data

Model Type	Position Horizontal / Vertical	Gas			Dust		
		T Rating			Surface T°		
		Ta = +40°C (+104°F)	Ta = +50°C (+122°F)	Ta = +55°C (+131°F)	Ta = +40°C (+104°F)	Ta = +50°C (+122°F)	Ta = +55°C (+131°F)
FNLED3		T4	T4	T4	60 °C (140 °F)	70 °C (158 °F)	75 °C (167 °F)
							
FNLED4		T4	T3		60 °C (140 °F)	70 °C (158 °F)	75 °C (167 °F)
			T4	T3			
FNLED5		T5	T4	T4	60 °C (140 °F)	70 °C (158 °F)	75 °C (167 °F)
					65 °C (149 °F)	75 °C (167 °F)	80 °C (176 °F)
FNLED7		T4	T4	T4	65 °C (149 °F)	75 °C (167 °F)	80 °C (176 °F)
							

"T" Numbers Represent the Maximum Temperature

"T" #	T1	T2	T3	T4	T5	T6
Temp. Range °C (°F)	301-450 (547-842)	201-300 (394-572)	136-200 (277-392)	101-135 (214-275)	86-100 (187-212)	85 (185)

ATX™ FNLED Series Nonmetallic LED Luminaires

Standard Increased Safety

ATEX/IECEX:
 Zone 2 and 22
 Ⓢ II 3 GD
 IP66 – IK10

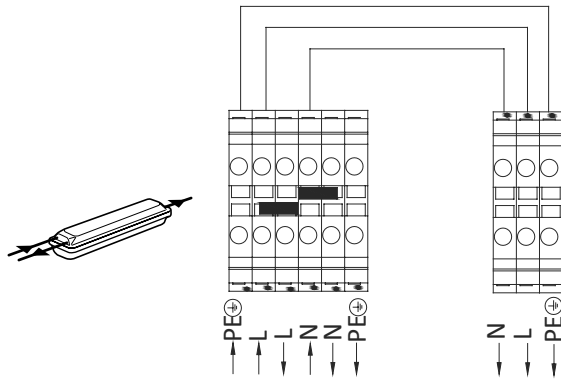
Wiring Diagrams

Standard

Version : L

Dual Loop In/Out - Through Wiring (Single Phase)

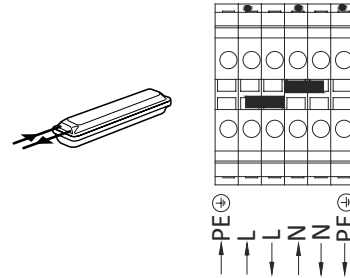
3 entries, 1 at one end and 2 at the other



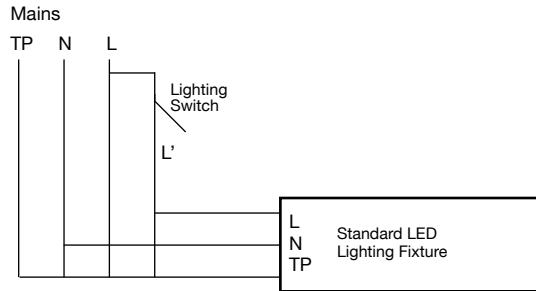
Version : S

Standard (Single Phase)

3 entries, 1 at one end and 2 at the other



Wiring Diagram



LED/AREA: ATEX/IECEX ENCLOSED AND GASKETED/INCREASED SAFETY

APPLETON™

Visit our website at www.emerson.com
 or contact us at (800) 621-1506 or +33 3
 22 54 13 90 © August 2019




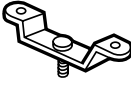

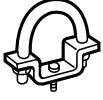
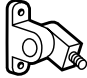
ATX™ FNLED Series Nonmetallic LED Luminaires

Standard Increased Safety

ATEX/IECEX:
 Zone 2 and 22
 II 3 GD
 IP66 – IK10

LED/AREA: ATEX/IECEX ENCLOSED AND GASKETED/INCREASED SAFETY

Accessories and Replacement Parts


	Description	Catalog Number
Fixing Brackets		
	Set of two brackets for surface installation Zinc plated steel	FEFBZ
Brackets for Surface Mounting		
	Set of two 316 stainless steel	FESBS
M8 Ring Bolts		
	Set of two Zinc plated steel	FERBM8Z
Half Clamps Brackets for Pole Mounting		
	Set of two	
	Diameter for 1-1/4 to 1-1/2" pole: 42 mm (1.65 in) to 49 mm (1.93 in)	
	Zinc plated steel	FEHC49Z
	316 stainless steel	FEHC49S
	Diameter for 2" pole: 60 mm (2.36 in)	
	Zinc plated steel	FEHC60Z
316 stainless steel	FEHC60S	
Hinged Brackets		
	Set of two brackets for adjusting luminaire	
	Aluminum	FEHBA
	316 stainless steel	FEHBS
Fall Prevention Kit		
	Safety chain retains fixture temporarily to ease installation	
	For M25 cable entry	FESCM25
	For M20 cable entry	FESCM20

ATX™ FNLED Series Nonmetallic LED Luminaires

Standard Increased Safety

ATEX/IECEX:
 Zone 2 and 22
 Ⓢ II 3 GD
 IP66 – IK10

Accessories and Replacement Parts

	Description	Catalog Number
Replacement Drivers and Inverter		
	FNLED3 Replacement Driver (1 each)	APMS050C135UD52
	FNLED4 Replacement Driver (1 each)	APMS050C135UD70
	FNLED5 Replacement Driver (1 each)	APMS050C135UD84
	FNLED7 Replacement Driver (1 each)	APMS050C135UD60
Replacement Lens		
	0.79 m (2.6 ft) clear polycarbonate external lens with gasket	Z00650
	1.39 m (4.6 ft) clear polycarbonate external lens with gasket	Z00651

LED/AREA: ATEX/IECEX ENCLOSED AND GASKETED/INCREASED SAFETY

APPLETON™

Visit our website at www.emerson.com
 or contact us at (800) 621-1506 or +33 3
 22 54 13 90 © August 2019



ATX™ FNLED Series Nonmetallic LED Luminaires

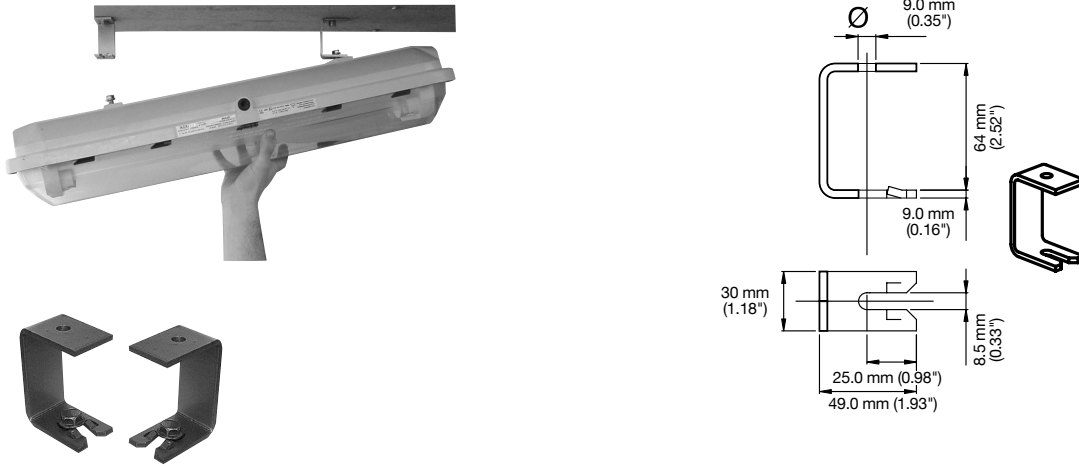
Standard Increased Safety

ATEX/IECEX:
 Zone 2 and 22
 II 3 GD
 IP66 – IK10

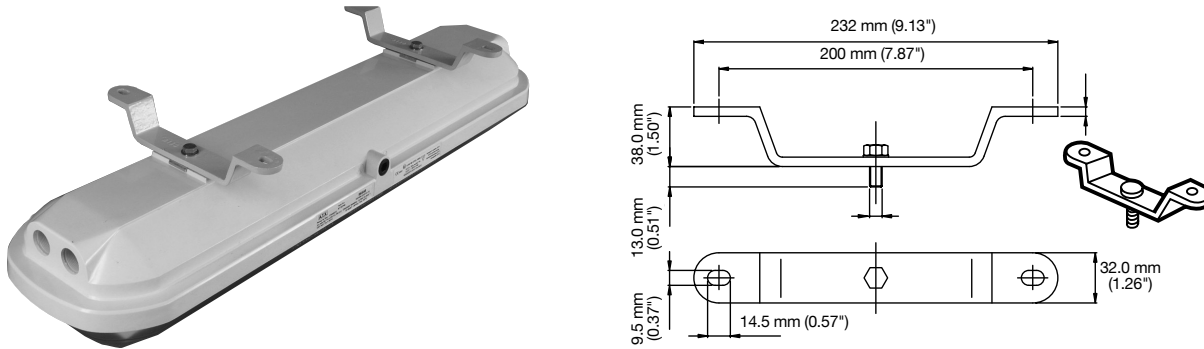
LED/AREA: ATEX/IECEX ENCLOSED AND GASKETED/INCREASED SAFETY

Mounting Options Dimensions in Millimeters (Inches)

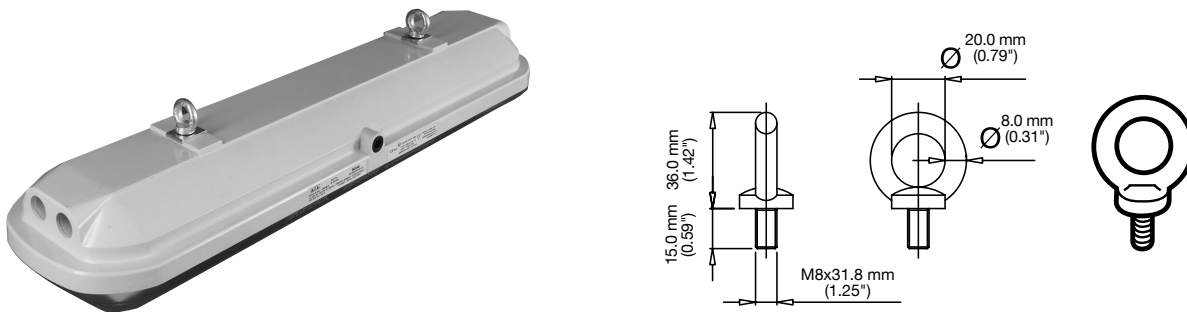
FEFBZ: zinc plated steel — Set of two quick fixing brackets for ease of surface mounting



FESBS: 316 stainless steel — Set of two brackets for surface mounting



FERBM8Z: zinc plated steel — Set of two ring bolts



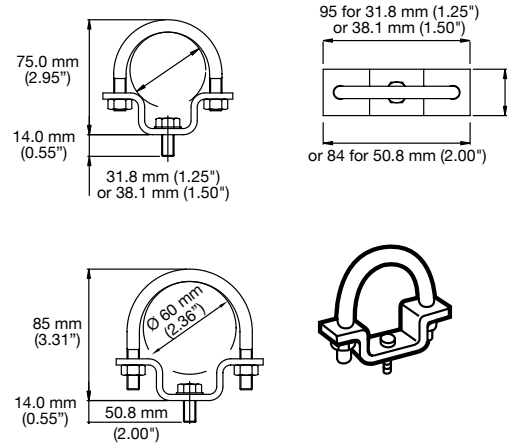
ATX™ FNLED Series Nonmetallic LED Luminaires

Standard Increased Safety

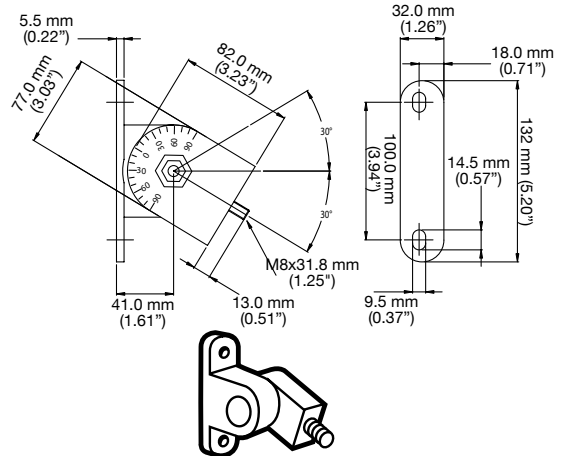
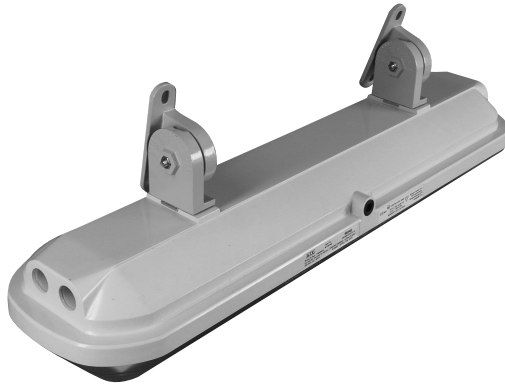
ATEX/IECEx:
 Zone 2 and 22
 II 3 GD
 IP66 – IK10

Mounting Options Dimensions in Millimeters (Inches)

FEHC49Z: zinc plated steel or FEHC49S: 316 stainless steel – Set of two clamps for pole diameter 42 mm to 49 mm (for 1-1/4" to 1-1/2" pole).
 FEHC60Z: zinc plated steel or FEHC60S: 316 stainless steel – Set of two clamps for pole diameter 60 mm (for 2" pole).



FEHBA: aluminum or FEHBS: 316 stainless steel – Set of two hinged brackets for adjusting luminaire.



LED/AREA: ATEX/IECEx ENCLOSED AND GASKETED/INCREASED SAFETY

APPLETON™

Visit our website at www.emerson.com
 or contact us at (800) 621-1506 or +33 3
 22 54 13 90 © August 2019



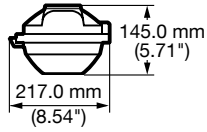
ATX™ FNLED Series Nonmetallic LED Luminaires

Standard Increased Safety

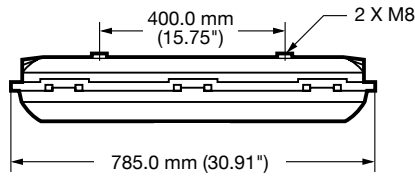
ATEX/IECEX:
Zone 2 and 22
Ⓢ II 3 GD
IP66 – IK10

LED/AREA: ATEX/IECEX ENCLOSED AND GASKETED/INCREASED SAFETY

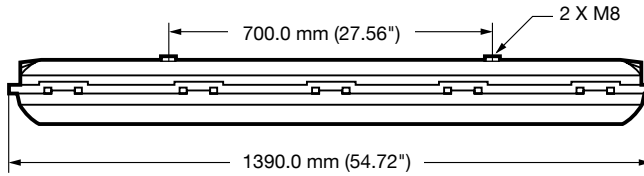
Luminaire Dimensions in Millimeters (Inches)



End View



Side View — 0.785 m (2.58 ft)



Side View — 1.39 m (4.56 ft) Version

APPLETON™

ATX™ FNLED Series Nonmetallic LED Luminaires

Standard Increased Safety

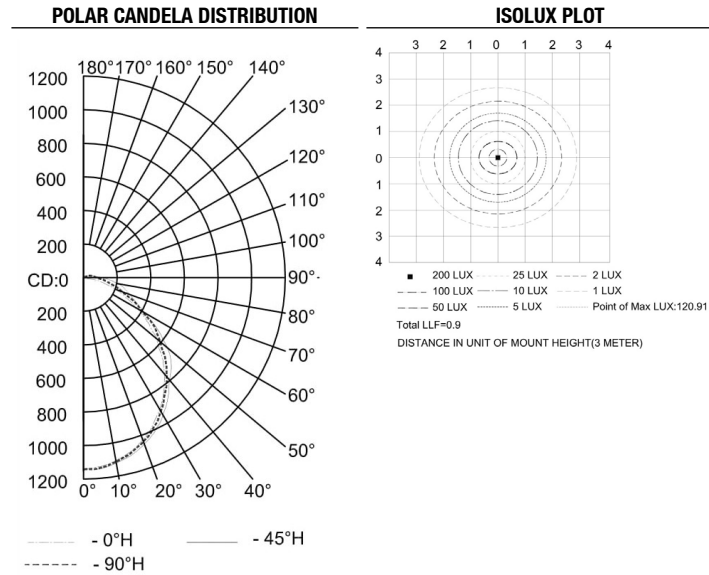
ATEX/IECEX:
 Zone 2 and 22
 II 3 GD
 IP66 – IK10

Photometric Data – DATA SHOWN IS ABSOLUTE

5000K CCT, With Diffuser

REPORT NUMBER: FNLED3CBUxxD

Luminaire Lumens: 3,333



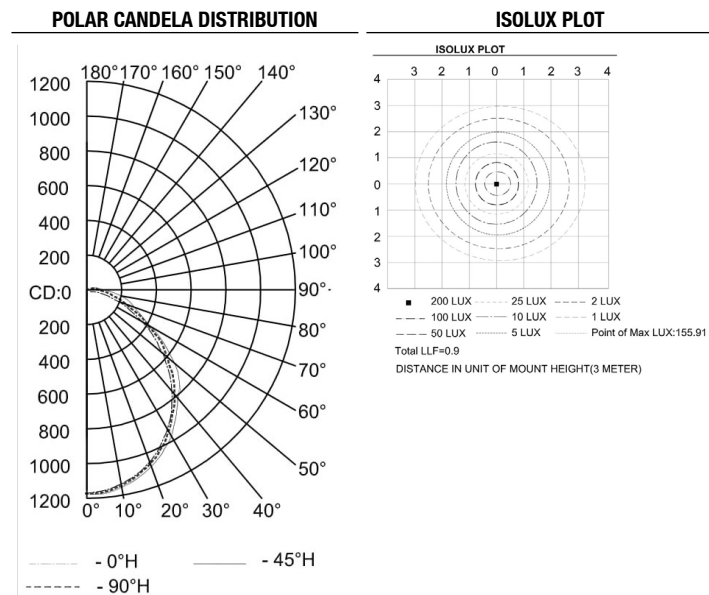
ZONAL LUMEN SUMMARY			
Zone	Lumens	% Lamp	% Luminaire
0-30	921.2	27.6%	27.6%
0-40	1,485.3	44.6%	44.6%
0-60	2,529.8	75.9%	75.9%
60-90	654.9	19.6%	19.6%
70-100	377.6	11.3%	11.3%
90-120	131.3	3.9%	3.9%
0-90	3,184.7	95.5%	95.5%
90-180	148.4	4.5%	4.5%
0-180	3,333.0	100%	100%

LUMENS PER ZONE					
Zone	Lumens	% Total	Zone	Lumens	% Total
0-10	114.4	3.4%	90-100	57.2	1.7%
10-20	324.4	9.7%	100-110	43.2	1.3%
20-30	482.3	14.5%	110-120	30.9	0.9%
30-40	564.1	16.9%	120-130	10.6	0.3%
40-50	565.8	17.0%	130-140	2.3	0.1%
50-60	478.8	14.4%	140-150	1.6	0%
60-70	334.5	10.0%	150-160	1.3	0%
70-80	206.9	6.2%	160-170	0.9	0%
80-90	113.4	3.4%	170-180	0.3	0%

5000K CCT, With Diffuser

REPORT NUMBER: FNLED4CBUxxD

Luminaire Lumens: 4,294



ZONAL LUMEN SUMMARY			
Zone	Lumens	% Lamp	% Luminaire
0-30	1,186.7	27.6%	27.6%
0-40	1,913.0	44.6%	44.6%
0-60	3,258.4	75.9%	75.9%
60-90	844.0	19.7%	19.7%
70-100	486.8	11.3%	11.3%
90-120	168.3	3.9%	3.9%
0-90	4,102.4	95.5%	95.6%
90-180	190.8	4.4%	4.4%
0-180	4,293.2	100%	100%

LUMENS PER ZONE					
Zone	Lumens	% Total	Zone	Lumens	% Total
0-10	147.4	3.4%	90-100	73.8	1.7%
10-20	418.0	9.7%	100-110	55.1	1.3%
20-30	621.3	14.5%	110-120	39.5	0.9%
30-40	726.3	16.9%	120-130	13.9	0.3%
40-50	729.5	17.0%	130-140	3.0	0.1%
50-60	616.0	14.3%	140-150	2.1	0%
60-70	431.0	10.0%	150-160	1.7	0%
70-80	267.0	6.2%	160-170	1.3	0%
80-90	146.0	3.4%	170-180	0.3	0%

Visit our website at www.emerson.com
 or contact us at (800) 621-1506 or +33 3
 22 54 13 90 © August 2019



ATX™ FNLED Series Nonmetallic LED Luminaires

Standard Increased Safety

ATEX/IECEX:
 Zone 2 and 22
 II 3 GD
 IP66-1K10

LED/AREA: ATEX/IECEX ENCLOSED AND GASKETED/INCREASED SAFETY

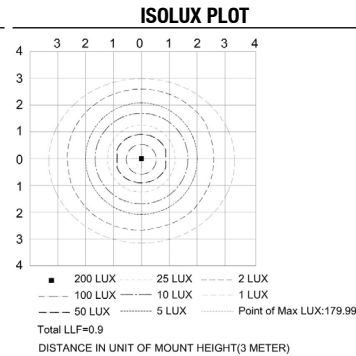
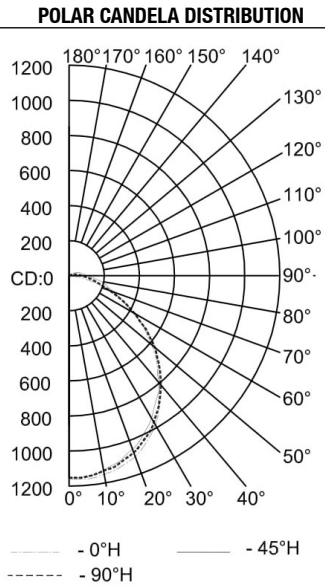
APPLETON™

Photometric Data – DATA SHOWN IS ABSOLUTE

5000K CCT, With Diffuser

REPORT NUMBER: FNLED5CBUxxD

Luminaire Lumens: 5,094



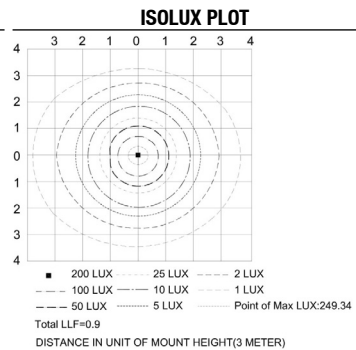
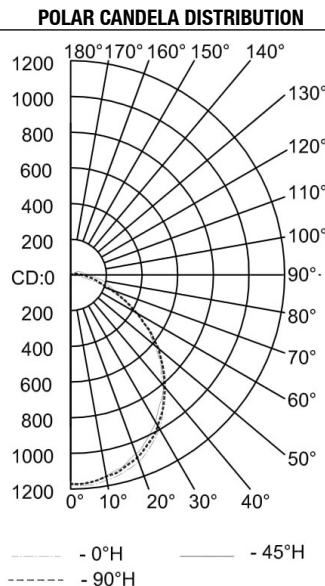
ZONAL LUMEN SUMMARY			
Zone	Lumens	% Lamp	% Luminaire
0-30	1,393.3	27.4%	27.4%
0-40	2,263.1	44.4%	44.4%
0-60	3,874.4	76.1%	76.1%
60-90	999.6	19.6%	19.6%
70-100	566.8	11.1%	11.1%
90-120	196.1	3.8%	3.8%
0-90	4,874.0	95.7%	95.7%
90-180	219.2	4.3%	4.3%
0-180	5,093.2	100%	100%

LUMENS PER ZONE					
Zone	Lumens	% Total	Zone	Lumens	% Total
0-10	170.6	3.4%	90-100	83.6	1.6%
10-20	488.2	9.6%	100-110	63.7	1.3%
20-30	734.5	14.4%	110-120	48.7	1%
30-40	869.8	17.1%	120-130	15.8	0.3%
40-50	874.4	17.2%	130-140	2.7	0.1%
50-60	736.9	14.5%	140-150	1.8	0%
60-70	516.4	10.1%	150-160	1.4	0%
70-80	314.7	6.2%	160-170	1.0	0%
80-90	168.5	3.3%	170-180	0.4	0%

TCC 5000 K sin difusor

REPORT NUMBER: FNLED7CBUxxD

Luminaire Lumens: 7,038



ZONAL LUMEN SUMMARY			
Zone	Lumens	% Lamp	% Luminaire
0-30	1,927.1	27.4%	27.4%
0-40	3,129.4	44.5%	44.5%
0-60	5,354.9	76.1%	76.1%
60-90	1,378.2	19.6%	19.6%
70-100	781.8	11.1%	11.1%
90-120	271.9	3.9%	3.9%
0-90	6,733.2	95.7%	95.7%
90-180	304.2	4.3%	4.3%
0-180	7,037.4	100%	100%

LUMENS PER ZONE					
Zone	Lumens	% Total	Zone	Lumens	% Total
0-10	236.0	3.4%	90-100	115.6	1.6%
10-20	675.4	9.6%	100-110	88.6	1.3%
20-30	1,015.7	14.4%	110-120	67.7	1%
30-40	1,202.3	17.1%	120-130	22.0	0.3%
40-50	1,208.0	17.2%	130-140	3.8	0.1%
50-60	1,017.5	14.5%	140-150	2.5	0%
60-70	712.0	10.1%	150-160	2.0	0%
70-80	433.6	6.2%	160-170	1.4	0%
80-90	232.7	3.3%	170-180	0.5	0%